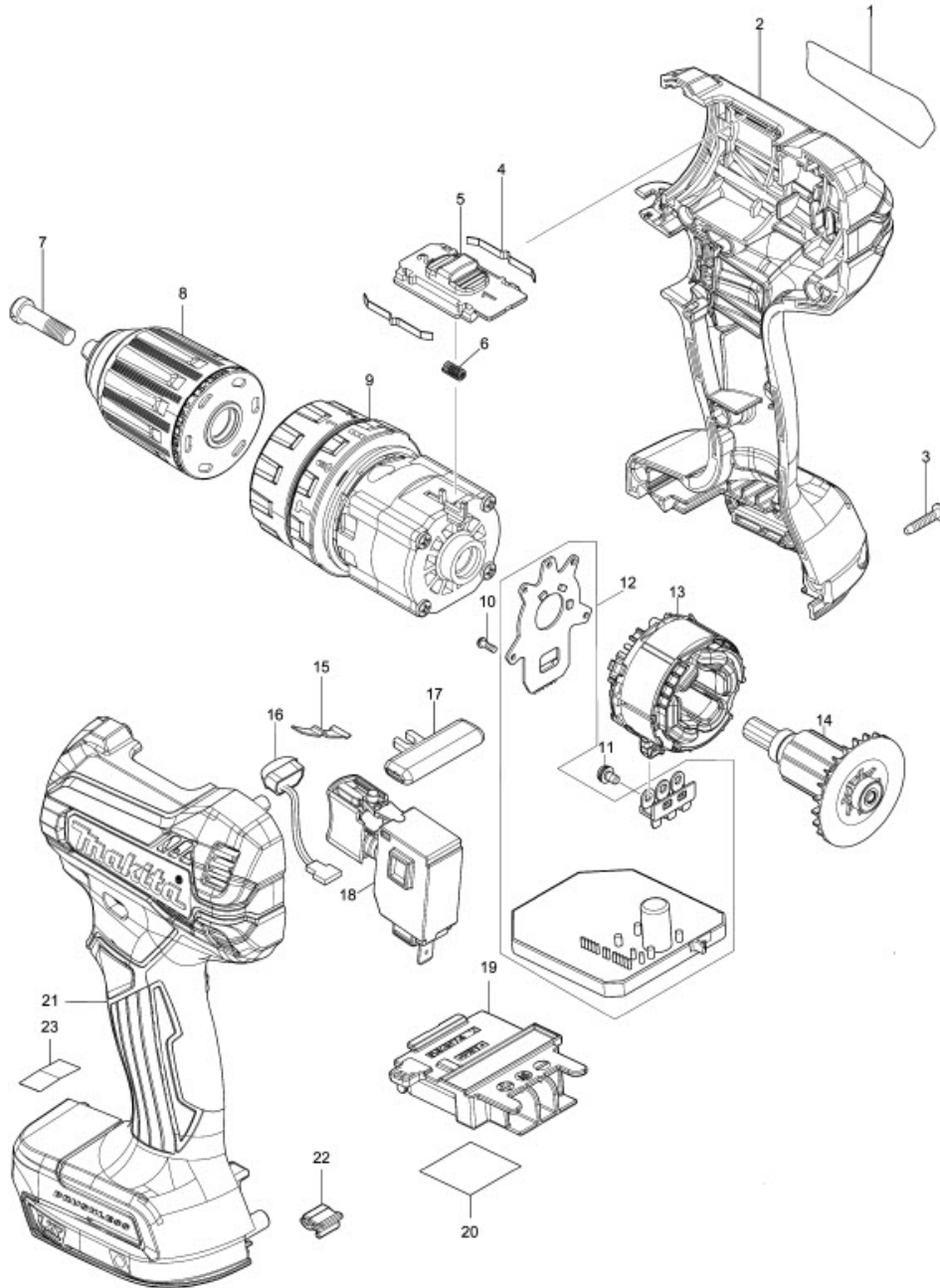


Part Diagram

Model No.DHP485 CORDLESS HAMMER DRIVER DRILL



Item	Sub	Parts No.	Parts Description	Qty
1		854U05-6	DHP485 NAME PLATE	1
2		183K32-9	HOUSING SET	1
2	C10	263005-3	RUBBER PIN 6	2
2	C20	252126-6	HEX. LOCK NUT M4-7	2
2	D10		INC. 21	
3		266429-2	TAPPING SCREW 3X16	8
4		232220-0	LEAF SPRING	2
5		458671-1	SPEED CHANGE LEVER	1
6		233438-6	COMPRESSION SPRING 4	1
7		251468-5	- FLAT HEAD SCREW M6X22	1
8		766027-7	KEYLESS DRILL CHUCK 13	1
9		126961-7	GEAR ASSEMBLY	1
10		266490-9	TAPPING SCREW PT 2X6	3
11		652069-6	FLAT HEAD SCREW M3X6	3
12		620964-8	CONTROLLER	1
012-1		620964-8	CONTROLLER	1
012-2		620964-8	CONTROLLER	1
13		629372-0	STATOR	1
14		619533-0	ROTOR	1
15		232182-2	LEAF SPRING	1
16		620549-0	LED CIRCUIT	1
17		419041-9	F/R CHANGE LEVER	1
18		650710-5	SWITCH C3JW-4B	1
19		643874-2	TERMINAL	1
20		854U11-1	DHP485 SERIAL NO. LABEL	1
21		183K32-9	HOUSING SET	1
21	C10	263005-3	RUBBER PIN 6	2
21	C20	252126-6	HEX. LOCK NUT M4-7	2
21	D10		INC. 2	
22		424517-3	CUSHION	1
A01		251314-2	+ SCREW M4X12	1
A02		346317-0	HOOK	1
A03		784637-8	+ BIT 2-45	1
A04B		158597-4	PLASTIC CASE COMPLETE	1
A04B	C10	417724-5	LATCH	2
A05B		450128-8	BATTERY COVER	1
A06B		***DC18RC	DC18RC FAST CHARGER	1
A06B	D10		COMPO-PARTS	
A07B		197600-6	BATTERY BL1830B SET	2
A07-1B		197600-6	BATTERY BL1830B SET	2